



DEPARTMENT OF REGULATORY AND ECONOMIC RESOURCES (RER)  
 BOARD AND CODE ADMINISTRATION DIVISION  
**NOTICE OF ACCEPTANCE (NOA)**

MIAMI-DADE COUNTY  
 PRODUCT CONTROL SECTION  
 11805 SW 26 Street, Room 208  
 Miami, Florida 33175-2474  
 T (786) 315-2590 F (786) 315-2599  
[www.miamidade.gov/economy](http://www.miamidade.gov/economy)

**Rolling Door Industries LLC**  
 8214 NW 64 Street  
 Miami, FL 33166

**SCOPE:**

This NOA is being issued under the applicable rules and regulations governing the use of construction materials. The documentation submitted has been reviewed and accepted by Miami-Dade County RER-Product Control Section to be used in Miami-Dade County and other areas where allowed by the Authority Having Jurisdiction (AHJ).

This NOA shall not be valid after the expiration date stated below. The Miami-Dade County Product Control Section (In Miami-Dade County) and/or the AHJ (in areas other than Miami-Dade County) reserve the right to have this product or material tested for quality assurance purposes. If this product or material fails to perform in the accepted manner, the manufacturer will incur the expense of such testing and the AHJ may immediately revoke, modify, or suspend the use of such product or material within their jurisdiction. RER reserves the right to revoke this acceptance, if it is determined by Miami-Dade County Product Control Section that this product or material fails to meet the requirements of the applicable building code.

This product is approved as described herein, and has been designed to comply with the Florida Building Code, including the High Velocity Hurricane Zone.

**DESCRIPTION: 20 Gage Slat Steel Roll-up Door up to 26'-0" Wide**

**APPROVAL DOCUMENT:** Drawing No. **17-248**, titled "26'-0" Maximum Wide, 20 Gage Slat Roll-up Door", sheets 1 through 3 of 3 (including sheet 1A), dated 08/24/2017, prepared by Tilteco, Inc., signed and sealed by Walter A. Tillit, Jr., P.E., bearing the Miami-Dade County Product Control revision stamp with the Notice of Acceptance number and expiration date by the Miami-Dade County Product Control Section.

**MISSILE IMPACT RATING: Large and Small Missile Impact Resistant**

**LABELING:** A permanent label with the manufacturer's name or logo, manufacturing address, model/series number, the positive and negative design pressure rating, indicate impact rated if applicable, installation instruction drawing reference number, approval number (NOA), the applicable test standards, and the statement reading 'Miami-Dade County Product Control Approved' is to be located on the door's side track, bottom angle, or inner surface of a panel.

**RENEWAL** of this NOA shall be considered after a renewal application has been filed and there has been no change in the applicable building code negatively affecting the performance of this product.

**TERMINATION** of this NOA will occur after the expiration date or if there has been a revision or change in the materials, use, and/or manufacture of the product or process. Misuse of this NOA as an endorsement of any product, for sales, advertising or any other purposes shall automatically terminate this NOA. Failure to comply with any section of this NOA shall be cause for termination and removal of NOA.

**ADVERTISEMENT:** The NOA number preceded by the words Miami-Dade County, Florida, and followed by the expiration date may be displayed in advertising literature. If any portion of the NOA is displayed, then it shall be done in its entirety.

**INSPECTION:** A copy of this entire NOA shall be provided to the user by the manufacturer or its distributors and shall be available for inspection at the job site at the request of the Building Official.

This NOA **revises and renews** NOA # **13-0226.07** and consists of this page 1 and evidence pages E-1 and E-2, as well as approval document mentioned above.

The submitted documentation was reviewed by **Carlos M. Utrera, P.E.**



*Signature*  
 10/24/2018

NOA No. 17-1108.34  
 Expiration Date: May 23, 2023  
 Approval Date: February 1, 2018  
 Page 1

**NOTICE OF ACCEPTANCE: EVIDENCE SUBMITTED**

**1. EVIDENCE SUBMITTED UNDER PREVIOUS NOA No. 13-0226.07**

**A. DRAWINGS**

1. Drawing No. **13-020**, titled "26'-0" Maximum Wide, 20 Gage Slat Roll-up Door", sheets 1 through 3 of 3 (including sheet 1A), dated 02/26/2013, prepared by Tilteco, Inc., signed and sealed by Walter A. Tillit, Jr., P.E.

**B. TESTS**

1. Test reports on: 1) Uniform Static Air Pressure Test, Loading per FBC, TAS 202-94  
2) Large Missile Impact Test per FBC, TAS 201-94  
3) Cyclic Wind Pressure Loading per FBC, TAS 203-94  
4) Forced Entry Test, per FBC 2411 3.2.1, TAS 202-94  
5) Tensile Test per ASTM A370-05,  
along with installation diagram of Series HV 2620 Roll-up 20 Gauge Slat Doors, prepared by Fenestration Testing Laboratory, Inc, Test Report No. **FTL-6444**, dated 02/23/2011, signed and sealed by Marlin D. Brinson, P.E.

**C. CALCULATIONS**

1. Anchor verification calculations and structural analysis, complying with FBC-2010, prepared by Tilteco, Inc, dated 02/26/2013, signed and sealed by Walter A. Tillit, Jr., P.E.

**D. QUALITY ASSURANCE**


1. Miami-Dade Department of Regulatory and Economic Resources (RER)

**E. MATERIAL CERTIFICATIONS**

1. None.

**F. STATEMENTS**

1. Statement letter of code conformance to 2010 FBC issued by Tilteco, Inc, dated 02/26/2013, signed and sealed by Walter A. Tillit, Jr., P.E.
2. Statement letter of no financial interest, issued by Tilteco, Inc, dated 02/26/2013, signed and sealed by Walter A. Tillit, Jr., P.E.



01/24/2018

---

**Carlos M. Utrera, P.E.**  
**Product Control Examiner**  
**NOA No. 17-1108.34**  
**Expiration Date: May 23, 2023**  
**Approval Date: February 1, 2018**

**Rolling Door Industries LLC**

**NOTICE OF ACCEPTANCE: EVIDENCE SUBMITTED**

**2. NEW EVIDENCE SUBMITTED**

**A. DRAWINGS**

1. Drawing No. **17-248**, titled "26'-0" Maximum Wide, 20 Gage Slat Roll-up Door", sheets 1 through 3 of 3 (including sheet 1A), dated 08/24/2017, prepared by Tilteco, Inc., signed and sealed by Walter A. Tillit, Jr., P.E.

**B. TESTS**

1. None.

**C. CALCULATIONS**

1. None.

**D. QUALITY ASSURANCE**

1. Miami-Dade Department of Regulatory and Economic Resources (RER)

**E. MATERIAL CERTIFICATIONS**

1. None.

**F. STATEMENTS**

1. Statement letter of code conformance to the 6<sup>th</sup> Edition (2017) FBC, issued by Tilteco, Inc, dated 08/24/2017, signed and sealed by Walter A. Tillit, Jr., P.E.



01/24/2018

---

Carlos M. Utrera, P.E.  
Product Control Examiner  
NOA No. 17-1108.34  
Expiration Date: May 23, 2023  
Approval Date: February 1, 2018

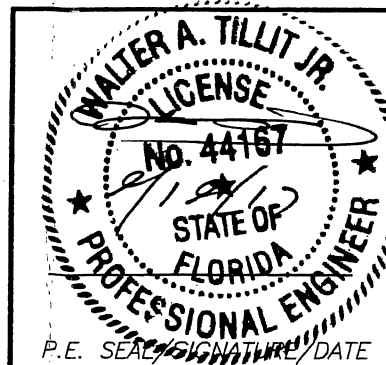
**GENERAL NOTES:**

- 1- ROLL-UP DOOR SHOWN ON THIS PRODUCT APPROVAL DOCUMENT (P.A.D.) HAS BEEN VERIFIED FOR CODE COMPLIANCE IN ACCORDANCE WITH THE 2017 (6th EDITION) OF THE FLORIDA BUILDING CODE. DESIGN WIND LOADS SHALL BE DETERMINED AS PER SECTION 1620 OF THE ABOVE MENTIONED CODE, USING ASCE 7-10 AND SHALL NOT EXCEED THE MAXIMUM (A.S.D.) DESIGN PRESSURE RATINGS INDICATED ON NOTE 1.
- IN ORDER TO VERIFY THE ABOVE CONDITION, ULTIMATE DESIGN WIND LOADS DETERMINATED PER ASCE 7-10 SHALL BE FIRST REDUCED TO A.S.D. DESIGN WIND LOADS BY MULTIPLYING THEM BY 0.6 IN ORDER TO COMPARE THESE W/ MAX. (A.S.D.) DESIGN PRESSURE RATINGS INDICATED ON NOTE 1.
- ROLL-UP DOOR'S ADEQUACY FOR IMPACT AND FATIGUE RESISTANCE HAS BEEN VERIFIED IN ACCORDANCE WITH SECTION 1626 OF THE ABOVE MENTIONED CODE AS PER FENESTRATION TESTING LABORATORY, INC. REPORT # 6444, PER TAS-201, TAS-202 & TAS-203 PROTOCOLS.

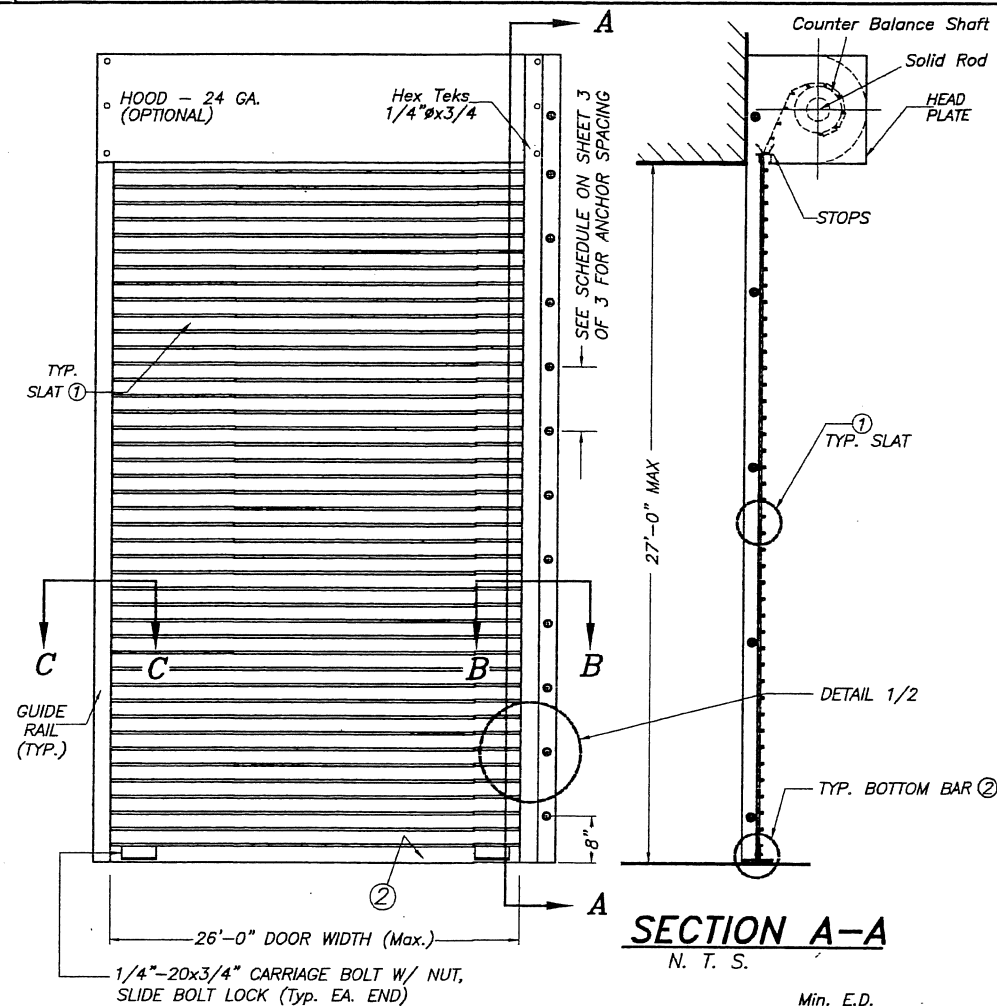
**MAX. A.S.D. DESIGN PRESSURE RATING: +70.0, -70.0 PSF**

- 2-SLAT TO BE A.S.T.M. A-653 GR 40 STRUCTURAL QUALITY STEEL WITH MIN Fy = 46.9 ksi. AND G-90 GALVANIZING PER A.S.T.M. A-653, OR A.I.S.I. 304 SERIES STAINLESS STEEL MANUFACTURED WITH A MINIMUM YIELD STRENGTH OF Fy = 46.9 ksi.
- 3- ALL STEEL ANGLES TO BE A.S.T.M. A-36 DESIGNATION, SHOP PRIMED AGAINST CORROSION PRIOR TO INSTALLATION. PAINT TO CONFORM TO FEDERAL SPECIFICATIONS CORRESPONDING TO RED OXIDE PAINT OR EQUAL.
- 4- WINDLOCKS TO BE "MALLEABLE IRON" Fy = 42 ksi OR A.I.S.I. DESIGNATION STEEL W/ Fy = 40 ksi., CHROME OR NICKEL PLATED.
- 5- ALL ASSEMBLY BOLTS TO BE S.A.E. GRADE 2 CADMIUM PLATED OR GALVANIZED STEEL.
- 6- STEEL WINDBARS TO BE A.S.T.M. A-36 DESIGNATION, SHOP PRIMED PRIOR TO INSTALLATION. PAINT TO CONFORM TO FEDERAL SPECIFICATIONS CORRESPONDING TO RED OXIDE PAINT OR EQUAL.
- 7- HOOD TO BE 24 GA. A.S.T.M. A-653 DESIGNATION G-90 FINISH TYPE COATING.
- 8- ALL RIVETS TO BE A.I.S.I. C1006 SPHERODIZED ANNEALED ALUMINUM LOW CARBON COLD HEADING QUALITY STEEL, ZINC PLATED, W/ 55.0 ksi. MINIMUM TENSILE STRENGTH, AS MANUFACTURED BY UNIVERSAL RIVET, INC.
- 9- CONCRETE ANCHORS TO BE AS MANUFACTURED BY HILTI, INC AND POWERS FASTENERS, INC, AND SHALL BE INSTALLED FOLLOWING ALL OF THE RECOMMENDATIONS AND SPECIFICATIONS OF THE ANCHOR'S MANUFACTURER.
- 10- ALL WELDING TO CONFORM TO AMERICAN WELDING SOCIETY'S AWS D1.1 REGULATIONS. USE A.W.S A5.1 OR A5.5 E60XX ELECTRODES MIN. 3/16" FILLET SIZE.
- 11- INSULATION MATERIAL SHALL BE EPS-EXPANDED POLYSTYRENE INSULATION, MANUFACTURED BY DYPLAST PRODUCTS LLC. W/ MIAMI DADE COUNTY APPROVAL.
- 12- IT SHALL BE THE RESPONSIBILITY OF THE CONTRACTOR TO VERIFY THAT THE EXISTING STRUCTURE IS DESIGNED TO SUPPORT Vx AND Vy FORCES AT BOTH JAMBS. SEE SCHEDULE ON SHEET 3 OF 3, FOR Vx & Vy VALUES.
- 13- ROLL-UP MECHANISM NOT PART OF THIS APPROVAL.
- 14- (A) THIS P.A.D. PREPARED BY THIS ENGINEER IS GENERIC AND DOES NOT PROVIDE INFORMATION FOR A SITE SPECIFIC PROJECT; I.E. WHERE THE SITE CONDITIONS DEVIATE FROM THE P.A.D.  
 (B) CONTRACTOR TO BE RESPONSIBLE FOR THE SELECTION, PURCHASE AND INSTALLATION OF THIS PRODUCT BASED ON THIS P.A.D. PROVIDED HE/SHE DOES NOT DEVIATE FROM THE CONDITIONS DETAILED ON THIS DOCUMENT. CONSTRUCTION SAFETY AT SITE IS THE CONTRACTOR'S RESPONSIBILITY.  
 (C) THIS P.A.D. WILL BE CONSIDERED INVALID IF MODIFIED.  
 (D) SITE SPECIFIC PROJECTS SHALL BE PREPARED BY A FLORIDA REGISTERED ENGINEER OR ARCHITECT WHICH WILL BECOME THE ENGINEER OF RECORD (E.O.R.) FOR THE PROJECT AND WHO WILL BE RESPONSIBLE FOR THE PROPER USE OF THE P.A.D. ENGINEER OF RECORD, ACTING AS A DELEGATED ENGINEER TO THE P.A.D. ENGINEER, SHALL SUBMIT TO THIS LATTER THE SITE SPECIFIC DRAWINGS FOR REVIEW.  
 (E) THIS P.A.D. SHALL BEAR THE DATE AND ORIGINAL SEAL AND SIGNATURE OF THE PROFESSIONAL ENGINEER OF RECORD THAT PREPARED IT.

**PRODUCT REVISED**  
 as complying with the Florida  
 Building Code  
 NOA-No. 17-1108.34  
 Expiration Date 05/23/2023  
 By [Signature]  
 Miami-Dade Product Control

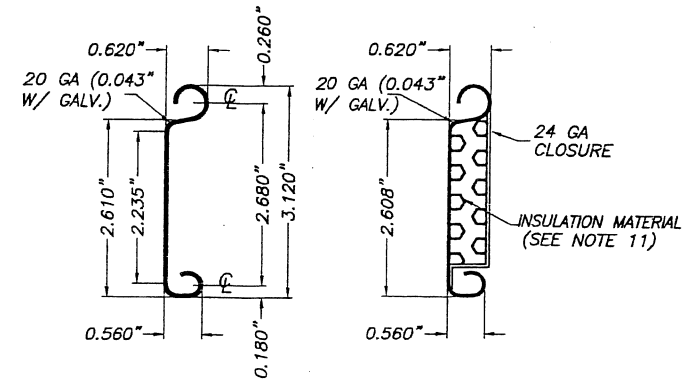


<i>Florida Building Code (High Velocity Hurricane Zone)</i>					
© 2017 TILTECO, INC			<b>26'-0" MAXIMUM WIDE, 20 GAGE SLAT ROLL-UP DOOR</b>		M.L. DRAWN BY:
<b>TILTECO inc.</b> TILLIT TESTING & ENGINEERING COMPANY 6355 N.W. 36th. St., Ste. 305, VIRGINIA GARDENS, FL 33166 Phone : (305)871-1530 . Fax : (305)871-1531 e-mail: tilteco@aol.com EB-0006719			<b>ROLLING DOOR INDUSTRIES, LLC.</b> 8214 NW 64 ST MIAMI, FL 33166 PH: 305-599-9977 FAX: 305-599-9979		08/24/17 DATE
					17-248 DRAWING No
REV. No	DESCRIPTION	DATE	REV. No	DESCRIPTION	DATE
1	OLD 13-020	8/24/17	3	-	-
2	-	-	4	-	-
					SHEET 1 OF 3



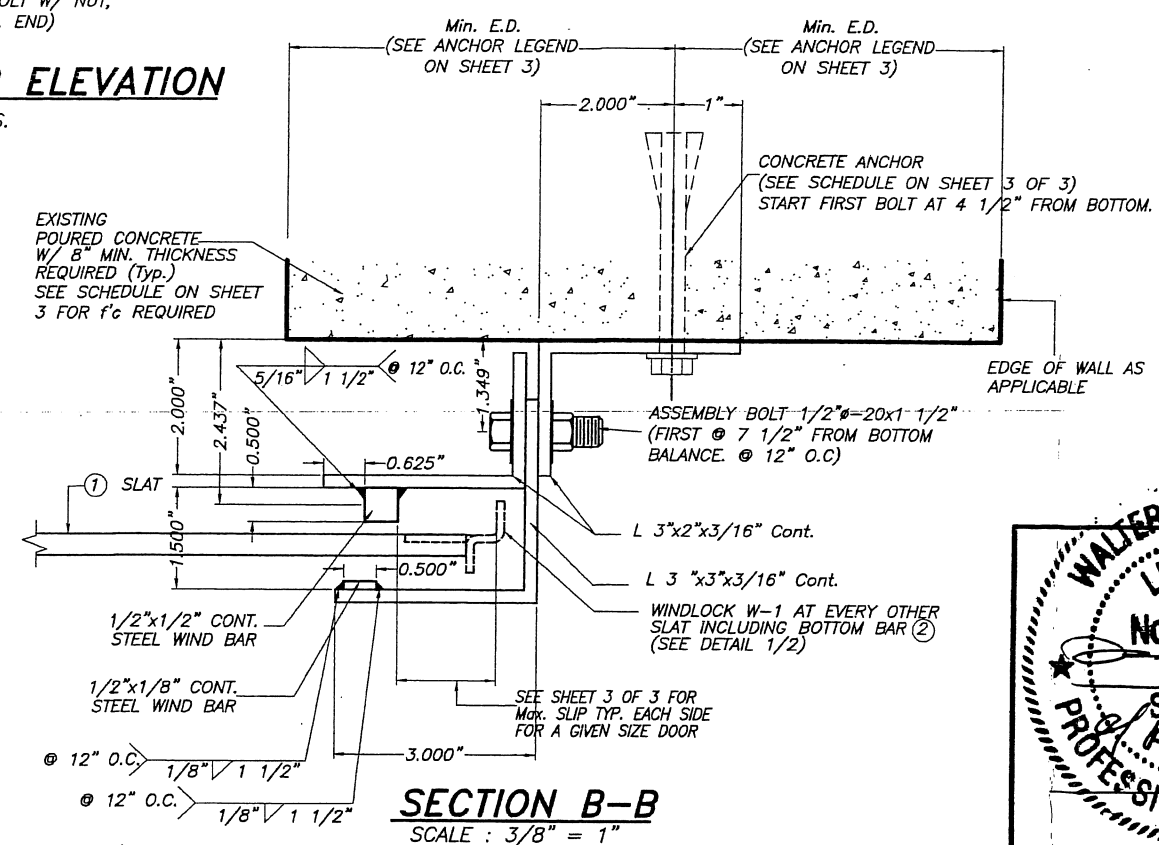
**TYPICAL DOOR ELEVATION**  
N. T. S.

**SECTION A-A**  
N. T. S.

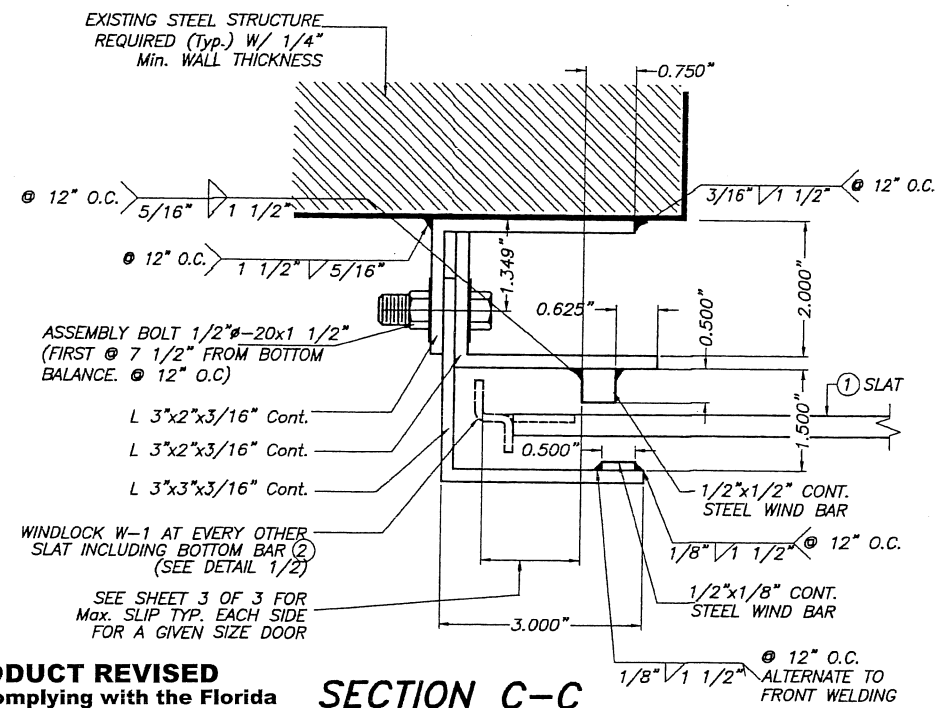


**PLAIN INSULATED**

**1 FLAT SLAT**  
SCALE: 1/2" = 1"

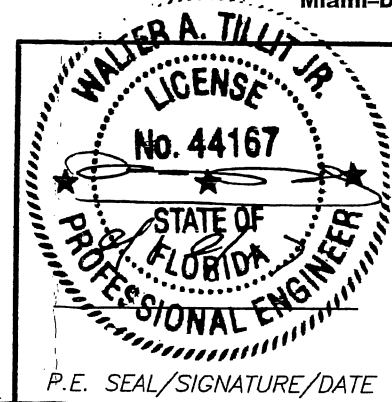


**SECTION B-B**  
SCALE: 3/8" = 1"



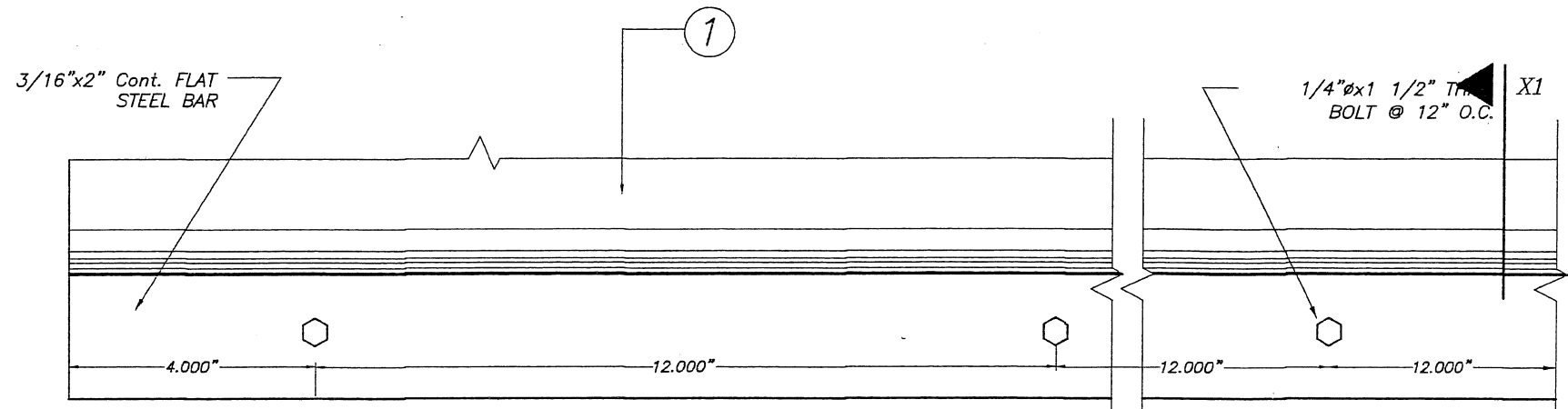
**SECTION C-C**  
SCALE: 3/8" = 1"

**PRODUCT REVISED**  
as complying with the Florida  
Building Code  
NOA-No. **17-1108.34**  
Expiration Date **05/23/2023**  
By *[Signature]*  
Miami-Dade Product Control



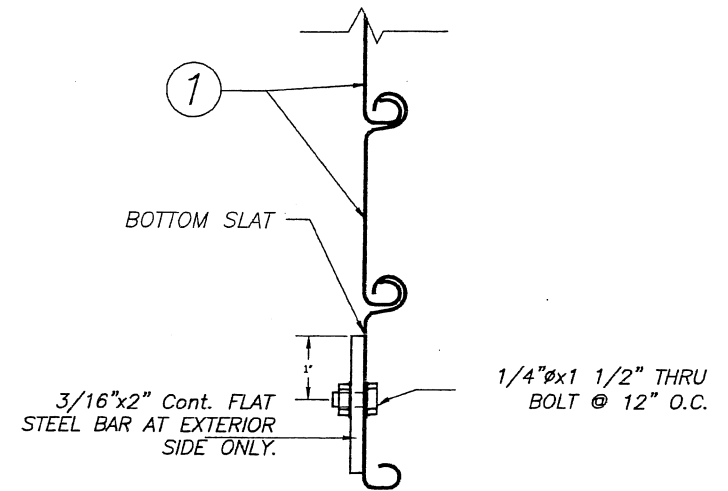
P.E. SEAL/SIGNATURE/DATE

Florida Building Code (High Velocity Hurricane Zone)		© 2017 TILTECO, INC			
<b>TILTECO INC.</b>		<b>26'-0" MAXIMUM WIDE, 20 GAGE SLAT ROLL-UP DOOR</b>			
TILLIT TESTING & ENGINEERING COMPANY 6355 N.W. 36th St., Ste. 305, VIRGINIA GARDENS, FL 33166 Phone: (305)871-1530 Fax: (305)871-1531 e-mail: tiltco@aol.com		<b>ROLLING DOOR INDUSTRIES, LLC.</b> 8214 NW 64 ST MIAMI, FL 33166 PH: 305-599-9977 FAX: 305-599-9979			
EB-0006719 WALTER A. TILLIT JR. P.E. FLORIDA Lic. # 44167		M.L. DRAWN BY:  08/24/17 DATE  17-248 DRAWING No			
REV. No	DESCRIPTION	DATE	REV. No	DESCRIPTION	DATE
1	OLD 13-020	8/24/17	3	-	-
2	-	-	4	-	-

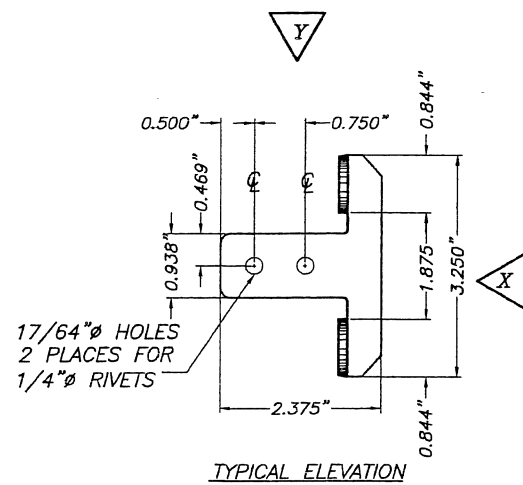


**ELEVATION**

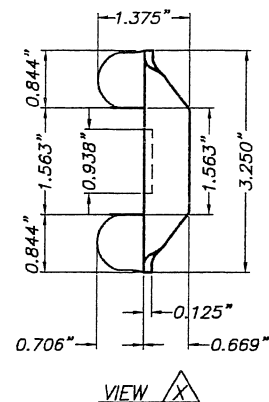
**2 BOTTOM BAR**  
SCALE : 3/8" = 1"



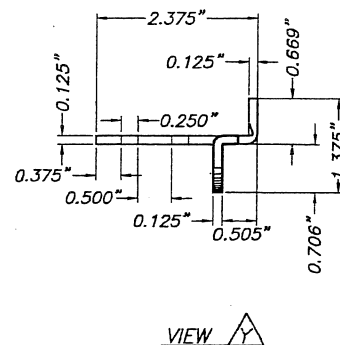
**SECTION XI**



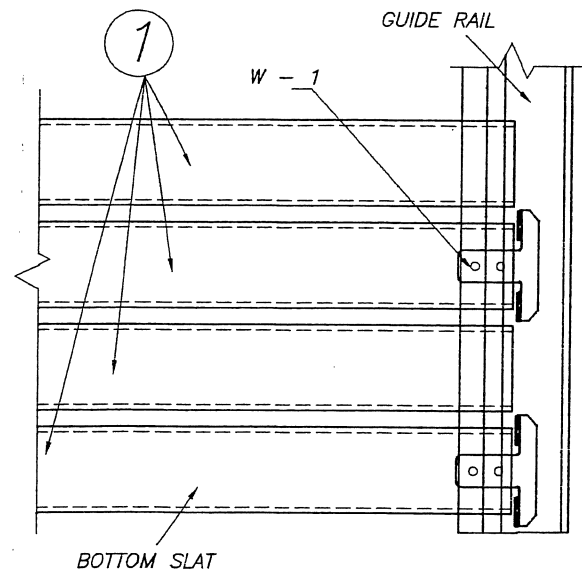
**TYPICAL ELEVATION**



**VIEW X**



**VIEW Y**



**DETAIL 1 (elevation)**  
N.T.S.

**3 TYPICAL WINDLOCK W - 1 DETAIL**  
SCALE : 3/8" = 1"

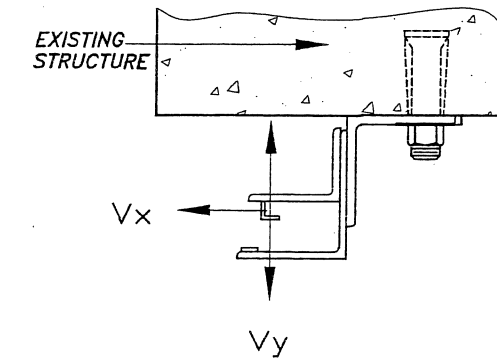
**COMPONENTS**

**PRODUCT REVISED**  
as complying with the Florida Building Code  
NOA-No. **17-1108.34**  
Expiration Date **05/23/2023**  
By *[Signature]*  
Miami-Dade Product Control

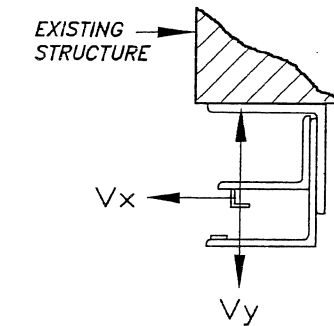
<p>WALTER A. TILLIT JR. LICENSE No. 44167 STATE OF FLORIDA PROFESSIONAL ENGINEER</p>	Florida Building Code (High Velocity Hurricane Zone)		M.L. DRAWN BY:																		
	© 2017 TILTECO, INC.   TILLIT TESTING & ENGINEERING COMPANY 6355 N.W. 36th. St., Ste. 305, VIRGINIA GARDENS, FL 33166 Phone : (305)871-1530 . Fax : (305)871-1531 e-mail: tilteco@aol.com EB-0006719 WALTER A. TILLIT Jr. P.E. FLORIDA Lic. # 44167	26'-0" MAXIMUM WIDE, 20 GAGE SLAT ROLL-UP DOOR		08/24/17 DATE																	
P.E. SEAL/SIGNATURE/DATE	ROLLING DOOR INDUSTRIES, LLC. 8214 NW 64 ST MIAMI, FL 33166 PH: 305-599-9977 FAX: 305-599-9979		17-248 DRAWING No																		
<table border="1"> <thead> <tr> <th>REV. No</th> <th>DESCRIPTION</th> <th>DATE</th> <th>REV. No</th> <th>DESCRIPTION</th> <th>DATE</th> </tr> </thead> <tbody> <tr> <td>1</td> <td>OLD 13-020</td> <td>8/24/17</td> <td>3</td> <td>-</td> <td>-</td> </tr> <tr> <td>2</td> <td>-</td> <td>-</td> <td>4</td> <td>-</td> <td>-</td> </tr> </tbody> </table>		REV. No	DESCRIPTION	DATE	REV. No	DESCRIPTION	DATE	1	OLD 13-020	8/24/17	3	-	-	2	-	-	4	-	-	SHEET 2 OF 3	
REV. No	DESCRIPTION	DATE	REV. No	DESCRIPTION	DATE																
1	OLD 13-020	8/24/17	3	-	-																
2	-	-	4	-	-																

**V<sub>x</sub> & V<sub>y</sub> REACTIONS & ANCHOR SPACING SCHEDULE**

MAXIMUM A.S.D. DESIGN PRESSURE RATING (PSF)	DOOR WIDTH (Ft.)	SLIP (in)	V <sub>x</sub> (Lb/Ft)	V <sub>y</sub> (Lb/Ft)	MAX. ANCHOR SPACING TO POURED CONCRETE					
					ANCHOR TYPE 1 *			ANCHOR TYPE 2 *		
					f' <sub>c</sub> = 3 ksi Min.	f' <sub>c</sub> = 4 ksi Min.	f' <sub>c</sub> = 6 ksi Min.	f' <sub>c</sub> = 3 ksi Min.	f' <sub>c</sub> = 4 ksi Min.	f' <sub>c</sub> = 6 ksi Min.
+50.0, -50.0	16'-0"	5/8"	1436	400	11"	11"	11"	11"	11"	11"
	18'-0"	1"	1419	450	11"	11"	11"	11"	11"	11"
	20'-0"	1 1/4"	1532	500	11"	11"	11"	11"	11"	11"
	24'-0"	1 1/2"	1885	600	10 1/2"	11"	11"	11"	11"	11"
	26'-0"	1 1/2"	2125	650	9"	10 1/2"	11"	10"	11"	11"
+55.0, -55.0	16'-0"	5/8"	1591	440	11"	11"	11"	11"	11"	11"
	18'-0"	1"	1569	495	11"	11"	11"	11"	11"	11"
	20'-0"	1 1/4"	1689	550	11"	11"	11"	11"	11"	11"
	24'-0"	1 1/2"	2071	660	9 1/2"	10 1/2"	11"	10"	11"	11"
	26'-0"	1 1/2"	2331	715	8 1/2"	9 1/2"	10 1/2"	9"	10"	10 1/2"
+60.0, -60.0	16'-0"	5/8"	1743	480	11"	11"	11"	11"	11"	11"
	18'-0"	1"	1718	540	11"	11"	11"	11"	11"	11"
	20'-0"	1 1/4"	1845	600	10 1/2"	11"	11"	11"	11"	11"
	24'-0"	1 1/2"	2256	720	8 1/2"	10"	10 1/2"	9 1/2"	10 1/2"	11"
	26'-0"	1 1/2"	2536	780	7 1/2"	8 1/2"	9 1/2"	8 1/2"	9 1/2"	9 1/2"
+70.0, -70.0	16'-0"	5/8"	2046	560	10"	11"	11"	10 1/2"	11"	11"
	18'-0"	1"	2012	630	10"	11"	11"	10 1/2"	11"	11"
	20'-0"	1 1/4"	2155	700	9"	10"	11"	9 1/2"	11"	11"
	24'-0"	1 1/2"	2611	840	7 1/2"	8 1/2"	9"	9"	9"	9 1/2"
	26'-0"	1 9/16"	2881	910	7 1/2" ▲	7 1/2"	8 1/2"	6 1/2"	8"	8 1/2"



**LOAD DIAGRAM**



**LOAD DIAGRAM**

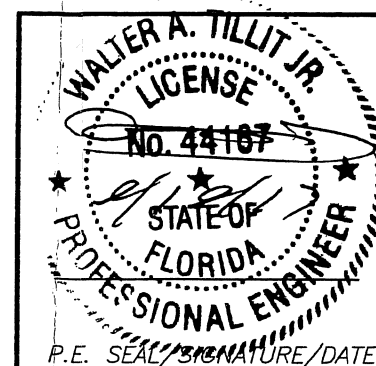
**PRODUCT REVISED**  
 as complying with the Florida Building Code  
 NOA-No. **17-1108.34**  
 Expiration Date **05/23/2023**  
 By *[Signature]*  
 Miami-Dade Product Control

**ANCHOR LEGEND**

\* **ANCHOR TYPE 1:** - 5/8"Ø POWERS FASTENERS, INC WEDGE BOLT ANCHOR W/ 5" MINIMUM EMBEDMENT, 6" MIN. EDGE DISTANCE & 8" MIN. WALL THICKNESS.

**ANCHOR TYPE 2:** - 3/4"Ø HILTI KWIK BOLT 3 EXPANSION ANCHOR W/ 6 1/2" MIN. EMBEDMENT, 6" MIN. EDGE DISTANCE 8" MIN. WALL THICKNESS. ONLY ALLOWED TO BE USED AT JURISDICTIONS WHERE COMPLIANCE W/ ACI 318-05 APPENDIX D IS NOT ENFORCED BY BUILDING OFFICIAL.

▲ SPACING ONLY VALID FOR 7 1/2" MIN. EDGE DISTANCE



*Florida Building Code (High Velocity Hurricane Zone)*

©2017 TILTECO, INC		26'-0" MAXIMUM WIDE, 20 GAGE SLAT ROLL-UP DOOR		M.L. DRAWN BY:
 TILLIT TESTING & ENGINEERING COMPANY 6355 N.W. 36th St., Ste. 305, VIRGINIA GARDENS, FL 33166 Phone : (305)871-1530 . Fax : (305)871-1531 e-mail: tilteco@aol.com EB-0006719 WALTER A. TILLIT Jr. P.E. FLORIDA Lic. # 44167		ROLLING DOOR INDUSTRIES, LLC. 8214 NW 64 ST MIAMI, FL 33166 PH: 305-599-9977 FAX: 305-599-9979		08/24/17 DATE
17-248 DRAWING No		17-248 DRAWING No		17-248 DRAWING No
REV. No	DESCRIPTION	DATE	REV. No	DESCRIPTION
1	OLD 13-020	8/24/17	3	-
2	-	-	4	-