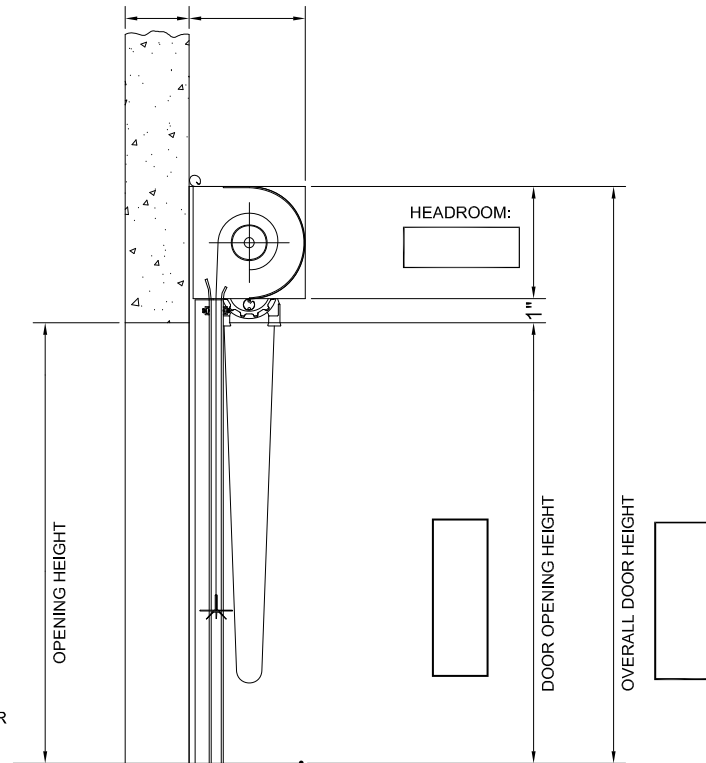


VERIFY THAT YOU HAVE AT LEAST 6-1/2" OF SIDEROOM

VERIFY THAT YOU HAVE AT LEAST 6-1/2" OF SIDEROOM



ELEVATION (COIL SIDE) AND SECTION VIEW

PRODUCT CODE:	JOB #:
---------------	--------

AGENT:

CONTRACTOR:

ARCHITECT:

---	ORIGINAL DRAWING		
#	REVISION	DATE	BY



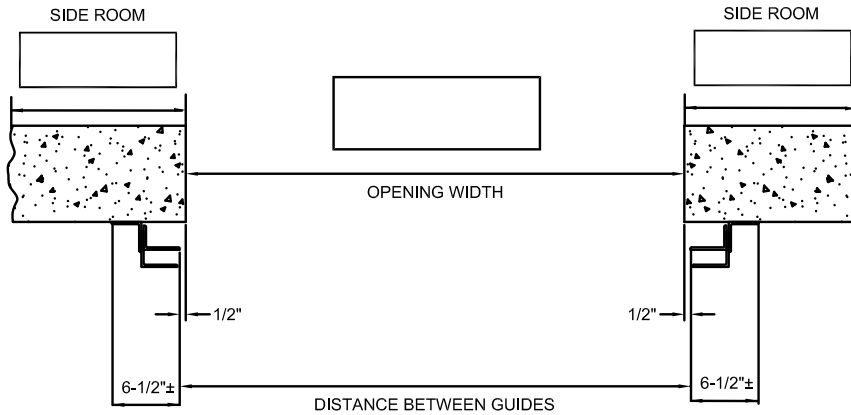
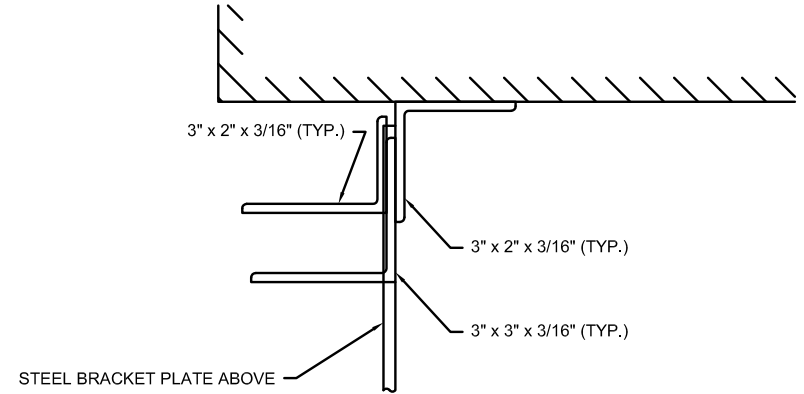
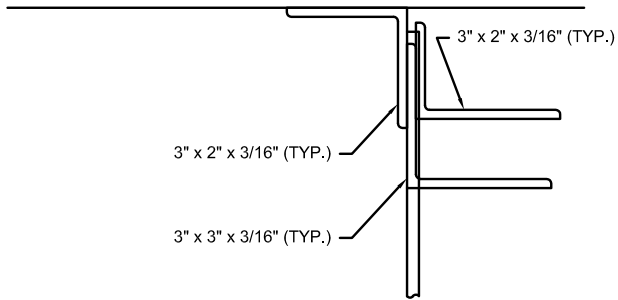
Rolling Door Manufacturing Corp.

8214 NW 64th Street
Miami, FL 33166 - U.S.A.

www.rolling-door.com

**ROLLING DOOR - FACE OF WALL
MASONRY - CHAIN OPERATION**

JOB:



PLAN OF OPENING

PRODUCT CODE:	JOB #:
---------------	--------

AGENT:

CONTRACTOR:

ARCHITECT:

---	ORIGINAL DRAWING		
#	REVISION	DATE	BY



Rolling Door Manufacturing Corp.

8214 NW 64th Street
Miami, FL 33166 - U.S.A.
www.rolling-door.com

**ROLLING DOOR
GUIDE ASSEMBLY - FACE OF WALL**

JOB: