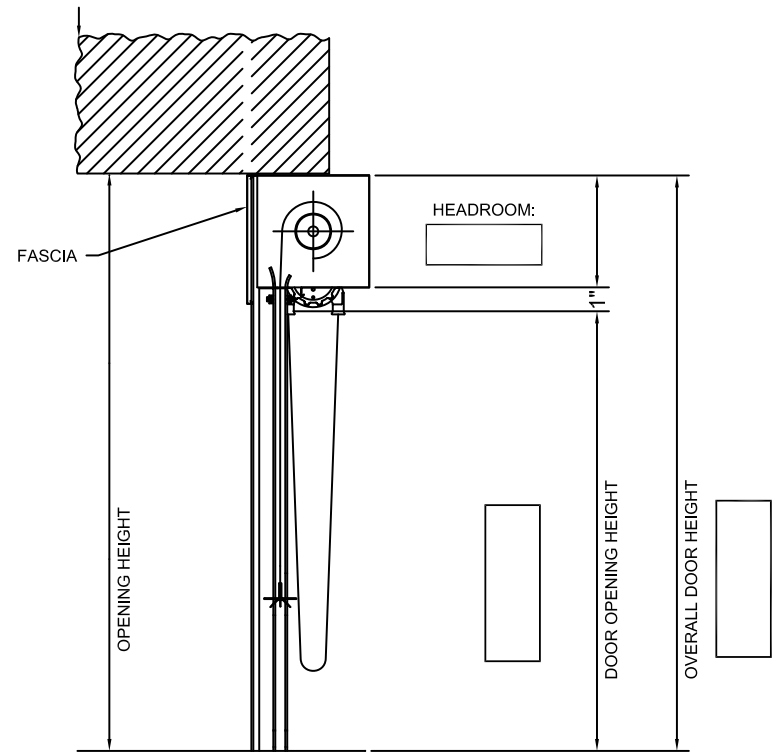


THE OPENING WIDTH WILL BE REDUCED AT LEAST BY 8"

THE OPENING WIDTH WILL BE REDUCED AT LEAST BY 8"



ELEVATION (COIL SIDE) AND SECTION VIEW

PRODUCT CODE:	JOB #:
---------------	--------

MOUNTING:

CONTRACTOR:

ARCHITECT:

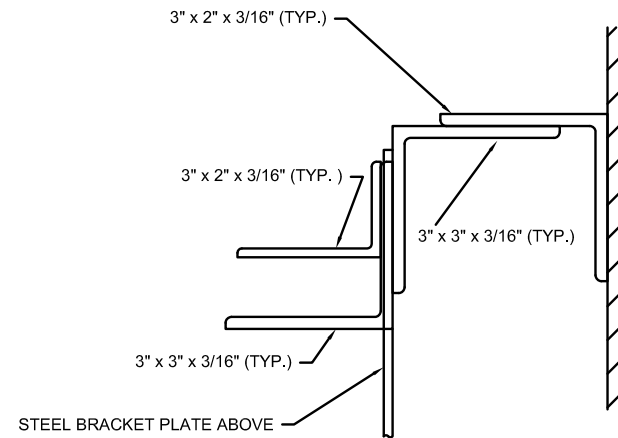
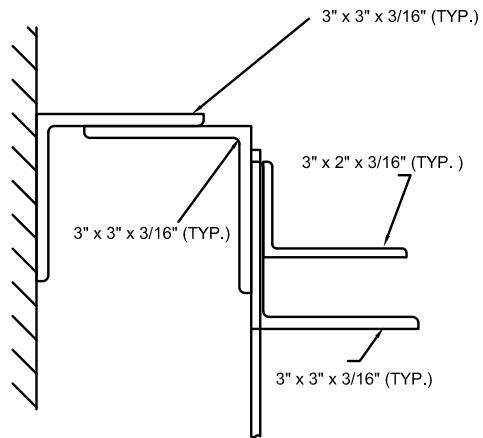
-- ORIGINAL DRAWING			
#	REVISION	DATE	BY



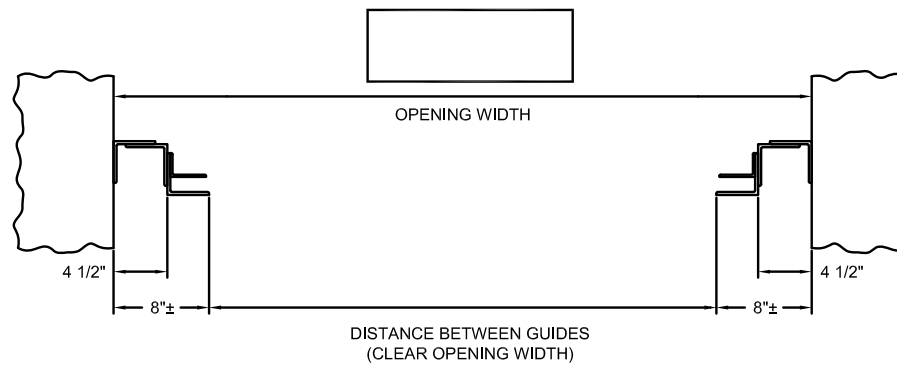
Rolling Door Manufacturing Corp.
8214 NW 64th Street
Miami, FL 33166 - U.S.A.
www.rolling-door.com

ROLLING DOOR - BETWEEN JAMBS - CHAIN OPERATION

JOB:



PLAN OF OPENING



PRODUCT CODE:	JOB #:
---------------	--------

---	ORIGINAL DRAWING		
#	REVISION	DATE	BY



Rolling Door Manufacturing Corp.

8214 NW 64th Street
Miami, FL 33166 - U.S.A.
www.rolling-door.com

**ROLLING DOOR GUIDE DETAIL -
BETWEEN JAMBS**

JOB:	
------	--

AGENT:
CONTRACTOR:
ARCHITECT: